

LIFTER

SCREW AND

CONCAVED WASHER

FOR LIFTING BELT SCREW

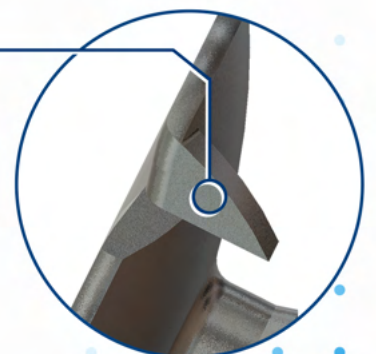


Ciser stands out as a pioneer in the domestic market for supplying elevator belt screws with this geometry.

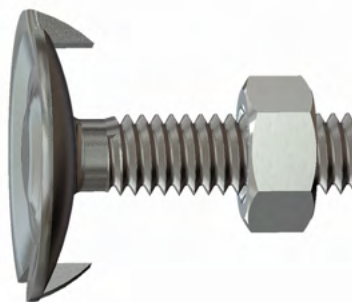
Change in the geometric concept of the product's lock (protrusion below the head replaced with stamped teeth) improves interlocking of the screw in the rubber and ensures greater safety and efficiency when installing the buckets used in elevators for transporting grain and similar products.

INNOVATIVE HEAD PROFILE

The new **Lifter Screws** for elevator belts with hex nut have two claws that provide greater adherence to the belt, and consequently, greater resistance against rotating when applying, allowing the nut to be easily placed or removed.



LIFTER SCREW FOR ELEVATOR BELT WITH HEX NUT



Line 1N331

Dimensões / Dimensiones / Dimensions						
Dimensão nominal / Dimensión nominal / Nominal size	1/4"			5/16"		
F.P.P. / H.P.P. / T.P.I.	20			18		
o Cabeça / Cabeza / Head (ref.)	23			28		
Comprimento / Longitud / Length	Referência / Referencia / Reference					
3/4"	158	00	2	208	00	2
7/8"	159	00	2			
1"	160	00	2	210	00 01	2
1.1/4"	161	00	2	211	00 01 02	2
1.1/2"	162	00	2	212	00 02	2
1.3/4"				213	00	2
2"				214	00	2

Line 1N334

Dimensões / Dimensiones / Dimensions						
Dimensão nominal / Dimensión nominal / Nominal size	M6		M8		M12	
Passo / Paso / Pitch	1,0		1,25		1,75	
o Cabeça / Cabeza / Head (ref.)	20		28		42	
Comprimento / Longitud / Length	Referência / Referencia / Reference					
25				359	00	2
30	261	00	2	361	00 01	2
35				362	00	2
40				363	00	2
45					463	00
					464	00

Obs.: Bitola M10 disponível na Linha 334.

Line 1N336

Dimensões / Dimensiones / Dimensions						
Dimensão nominal / Dimensión nominal / Nominal size	1/4"			5/16"		
F.P.P. / H.P.P. / T.P.I.	20			18		
o Cabeça / Cabeza / Head (ref.)	25			30		
Comprimento / Longitud / Length	Referência / Referencia / Reference					
3/4"	158	00	2			
1"	160	00	2	210	00	2
1.1/4"	161	00	2	211	00	2
1.1/2"	162	00	2	212	00	2
1.3/4"				213	00	2
2"				214	00	2

Obs.: Bitola 3/8 disponível na Linha 336.

Acabamento: 00 Polido
Acabado: Sin Recubrimiento
Finish: Plain

01 Zincado Branco
Cincado Blanco
Zinc Plated

02 Bicromatizado
Cincado Amarillo
Yellow Zinc

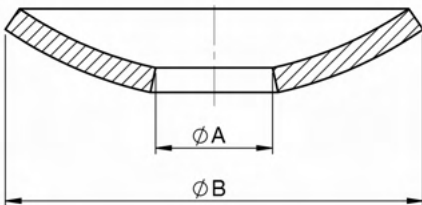
Embalagem padrão em cento
Embalaje padrón en ciento
Standard packaging in hundred

CONCAVED WASHER FOR LIFTING BELT SCREW



Line
1D201

Dimensões / Dimensiones / Dimensions			
Dimensão nominal <i>Dimensión nominal / Nominal size</i>	ø B	ø A	Referência <i>Referencia / Reference</i>
	Externo / Exterior / Outside	Interno / Interior / Inside	
1/4" (M6)	24	7	151 01 10
			151 01G 25
5/16" (M8)	31	9,5	201 01 10
			201 01G 20
3/8" (M10)	38,5	11,5	251 01 5
			251 01G 10
1/2" (M12)	49,5	14	351 01 2,5
			351 01G 5



Acabamento: **01** Zincado Branco
 Acabado: *Cincado Blanco*
 Finish: Zinc Plated

G = Granel Embalagem padrão em cento
 G = Granel *Embalaje padrón en ciento*
 G = Bulk Standard packaging in hundred